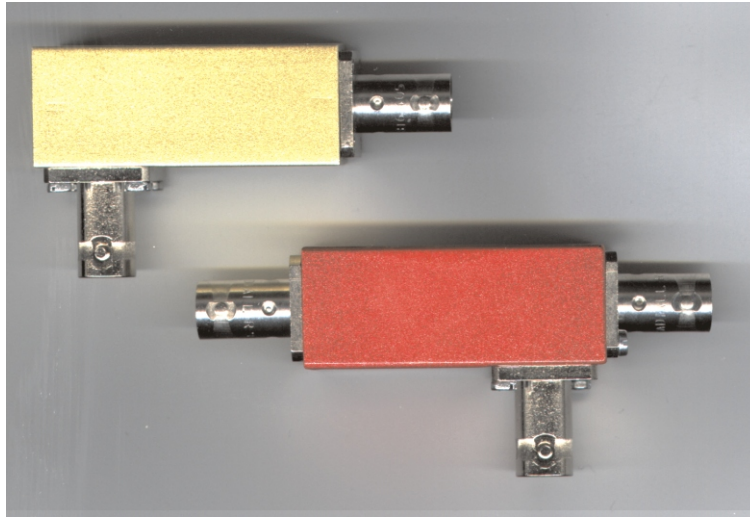




HIGH-VOLTAGE, HIGH-SPEED SWITCHES **HVS Models**



The high-voltage, high-speed solid-state switches are designed for applications in Pockels cell drivers, nanosecond pulse generators, laser diode drivers etc. Recent developments in the semiconductor technology made it possible to combine the advantages of krytrons (wide voltage range of operation) with those of avalanche transistor circuits (high speed and short delay time). The new all-solid-state switches are superior in performance to both krytrons and avalanche circuits. They are used in our **Pockels Cell Drivers** and **Laser Diode Drivers**. As separate components, they are offered at very competitive prices. We offer two types of switches: the low-cost Model HVS-XXX-F with a voltage variable +/-15% of the specified value, as well as switches with wide-range variation of the applied voltage (Model HVS-XXX-V).

Technical specifications

<u>Types: HVS-XXX-F ("Fixed")</u>		<u>Types: HVS-XXX-V (Variable)</u>	
	<i>Variable ranges, V:</i>		<i>Variable ranges, V:</i>
HVS-400-F	280 - 420	HVS-900-V	300 - 900
HVS-2000-F	1500 - 2000	HVS-1400-V	300 - 1400
HVS-4000-F	3500 - 4000	HVS-4000-V	300 - 4000
Current (10 ns)	200 A		300 A
Risetime, ns	typ. 4, max.10		typ. 10, max. 20
Delay, ns	<1		<10
Trigger, V	+5 V/50 Ohm		+10 V/50 Ohm
Dimensions, mm (excl. BNC connectors)			typ. 20x20x60 mm

We also offer custom-designed modules up-to 10 kV at very low additional prices. Diode laser drivers with pulses < 300 ps (FWHM) and MHz repetition rate are also available.

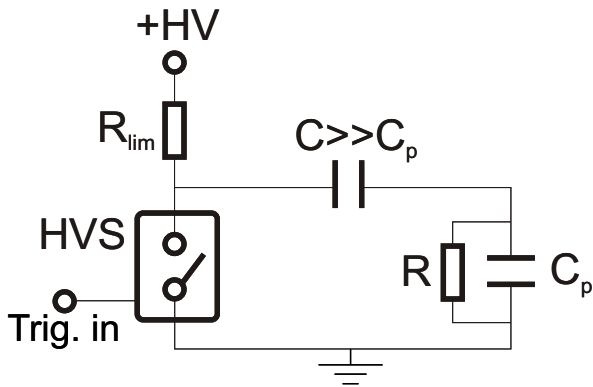
ALPHALAS GmbH

Bertha-von-Suttner-Str. 5, D-37085 Göttingen, Germany

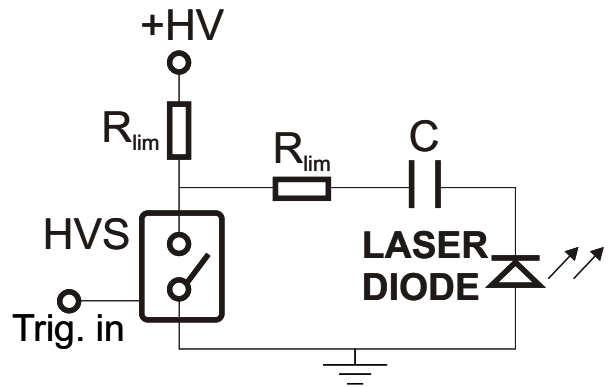
Tel.: +49-551-7706147, Fax: +49-551-7706146, E-mail: sales@alphalas.com, Web-Site: www.alphalas.com

HIGH-VOLTAGE HIGH-SPEED SWITCHES SWITCHES HVS Models

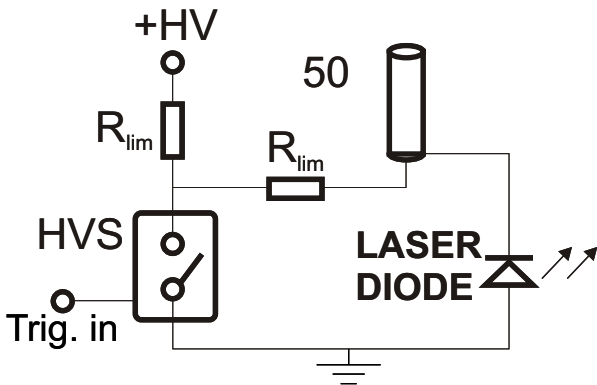
Application examples



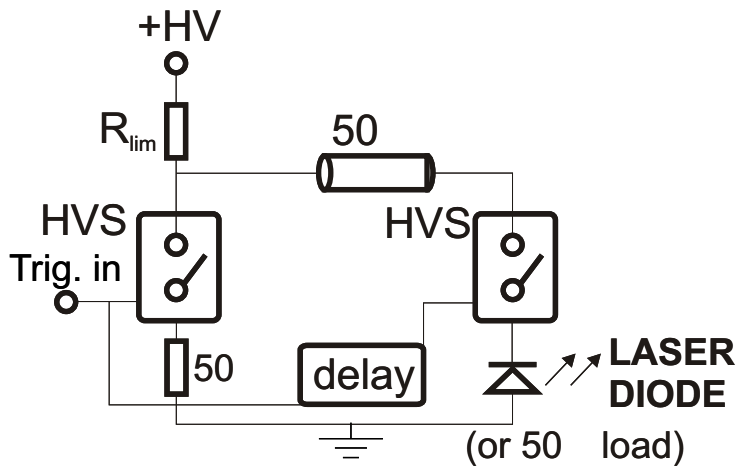
POCKELS CELL DRIVER



PULSED LASER DIODE DRIVER



**PULSED LASER DIODE DRIVER
(fixed pulse width)**



**PULSED LASER DIODE DRIVER
(NANOSECOND PULSE GENERATOR)
(variable pulse width)**